

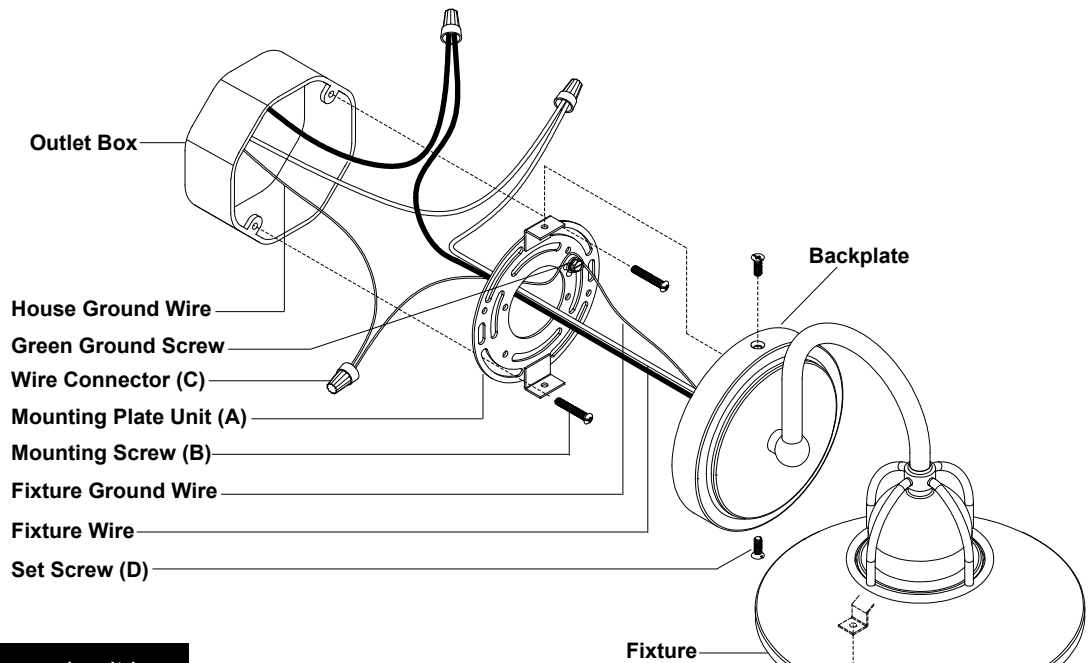
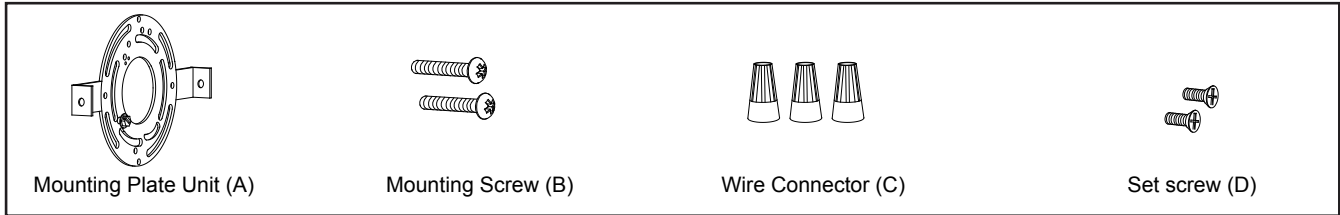
ASSEMBLY AND INSTALLATION INSTRUCTIONS

W0401

WARNING: TO AVOID RISK OF ELECTRICAL SHOCK, BE SURE TO SHUT OFF POWER WHILE INSTALLING OR SERVICING THIS FIXTURE.

NOTES: 1. Before installing, consult local electrical codes for wiring and grounding requirements.
2. READ AND SAVE THESE INSTRUCTIONS.

Hardware Package (included):

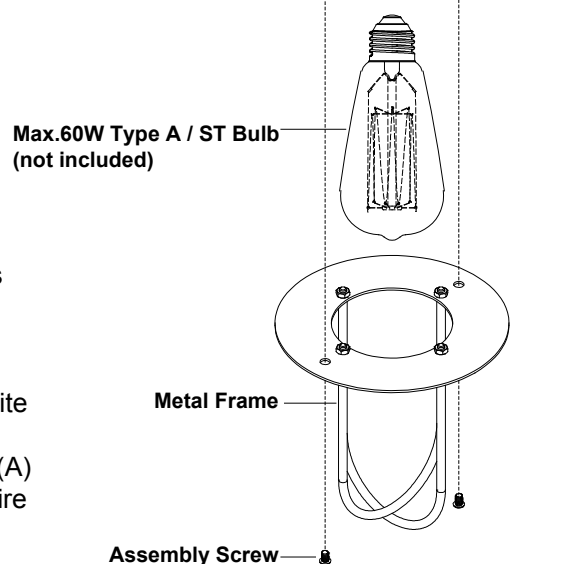


Installation Steps

Turn off the power at fuse or circuit box

1. Remove the mounting plate unit (A) from the backplate by disassembling the set screws (D).
2. Attach the mounting plate unit (A) to the outlet box by using two mounting screws (B).
Note: Make sure that two set holes are lined up horizontally to make the fixture level.
3. Pull out the source wires from the outlet box. Make wire connections using wire connectors (C) as follows:
 - Connect the hot wire (black insulation) from the fixture to the black wire from the power source.
 - Connect the neutral wire (white insulation) from the fixture to the white wire from the power source.
 - Attach the fixture ground wire (bare wire) to the mounting plate unit (A) with the green ground screw, then connect it to the house ground wire with the wire connector (C).

Carefully put all of the wires back into the outlet box.



4. Attach the backplate of the fixture to the mounting plate unit (A) by aligning holes, secure them with two set screws (D) from the side hole of the backplate into the hole of the mounting plate unit (A).
5. Install 1 x 60W max. medium base bulb (not included). Check relamping label at socket area or packaging for maximum wattage allowed.
6. Attach the metal frame to the fixture by securing two assembly screws.

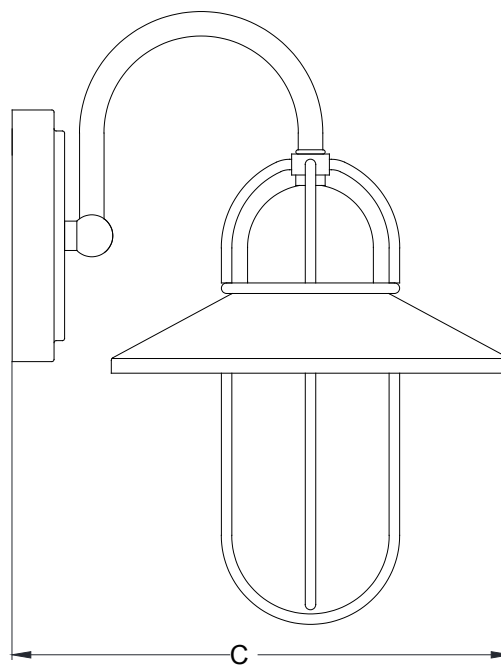
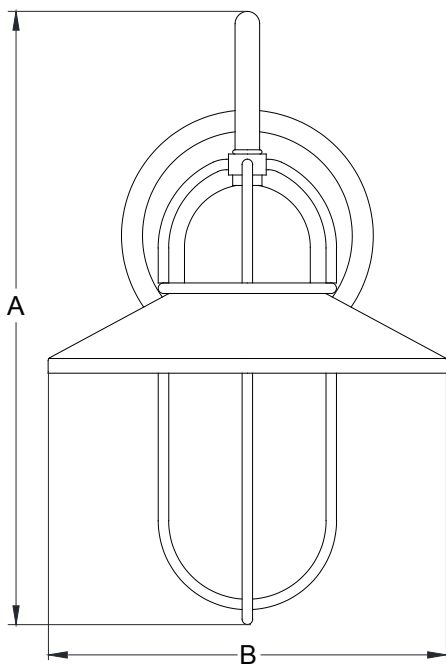
Turn on the power at fuse or circuit box

The following parts are available for re-order if damaged or missing.

Spare Parts List:

The Spare Parts List diagram shows the following components:

- Mounting Plate Unit (A):** A circular plate with mounting holes and a central socket area.
- Mounting Screw (B):** Two screws with hex heads and threaded shafts.
- Wire Connector (C):** Three cylindrical components used for wire connection.
- Set screw (D):** Two screws with hex heads and flat heads.
- Mounting Hardware 6469MM (1SET):** A set of hardware indicated by an arrow pointing to the set screws (D).



A: 11-1/2"

B: 7-1/2"

C: 9-1/2"